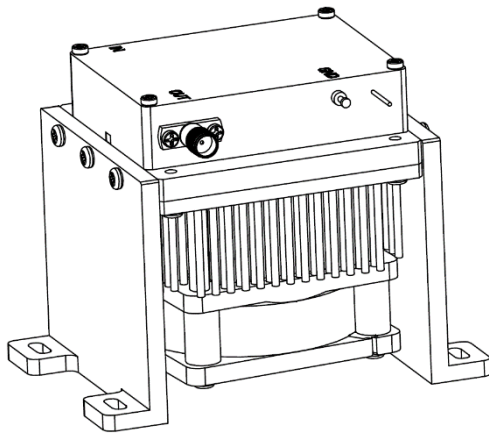


### 18-29GHz Broadband Amplifier, High gain=35dB, Pout=+32dBm, 2.92mm



Module with-HF Option

#### Product Overview

AT-PA-1829-3532XF is high gain power amplifier with +32dBm output power in the frequency of 18-29GHz. The DC power requirement is +12V/1.1A. The PA module has very wide power supply from +8V to +24V range.

The module is with 2.92mm connector. The power amplifier has high gain, high linearity, low input/output return loss and flat gain response.

More information, please visit [www.atmicrowave.com](http://www.atmicrowave.com)

#### Advantages

- ✓ Frequency: 18-29GHz
- ✓ Psat:+32dBm
- ✓ Small signal gain: 35dB
- ✓ Single Power Supply

#### Application

- ✓ 5G Communication
- ✓ Test Equipment
- ✓ ROF (RF Over Fiber)
- ✓ Radar System

#### Key Features

Parameter	Min	Typical	Max
Frequency		18-29GHz	
Gain	33dB	35dB	
P1dB	+29dBm	+30dBm	
Psat	+31dBm	+32dBm	
Drain Supply	+8V	+12V	+24V
Current NO RF @12V		1.1A	
IDD/Psat @12V		1.3A	
Input Return Loss		-10dB	
Output Return Loss		-10dB	
Spec Temp		25C	





# AT-PA-1829-3532XF

18-29GHz Power Amplifier

## Mechanical Information

Item	Description
Input Port	2.92mm Female
Output Port	2.92mm Female
Case Material	Copper
Finish	Gold Plated
Weight (Without Heatsink)	230g
Size:	See outline

## Absolute Maximum Ratings Table

Parameter	Value
Drain Supply	+36V
RF Input Power	+15 dBm
Operating Temperature	-20 to +70C
Storage Temperature	-65 to +150C

### Caution:

Please pay attention to the case temperature. If case temperature exceeds +50C, heat sink and fan are required, or the amplifier may be damaged.

### Bias Procedure:

Make sure GND is connected before Vdd Power ON.

Module may be damaged when Vdd Power ON without GND.





# AT-PA-1829-3532XF

18-29GHz Power Amplifier

## Part Number Selection

Item	Description
AT-PA-1829-3532XF	In defaulted without heatsink and Fan. Heatsink and Fan required during operation.
AT-PA-1829-3532XF-HF	Including Heatsink and Fan. Fan bias is connected with PA Module's Vdd supply

## Notes:

1. Datasheet may be changed according to update of MMIC, Raw materials , process, and so on.
2. This data is only for reference, not for guaranteed specifications.
3. Please contact AT Microwave team to make sure you have the most current data.

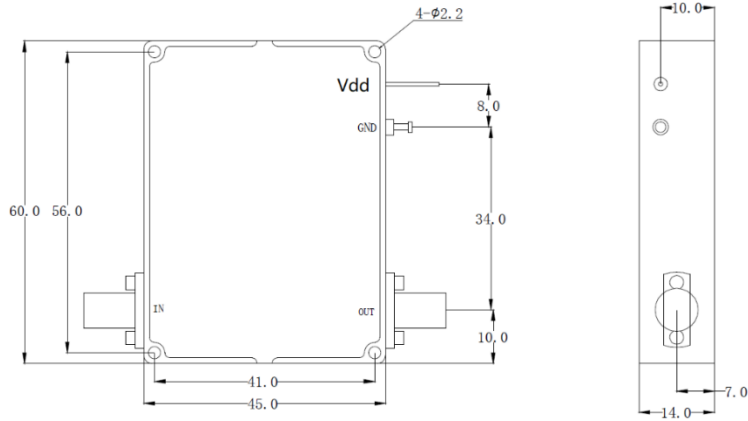
## Test Data

Please note that test curves will vary slightly from unit to unit.

To be added.



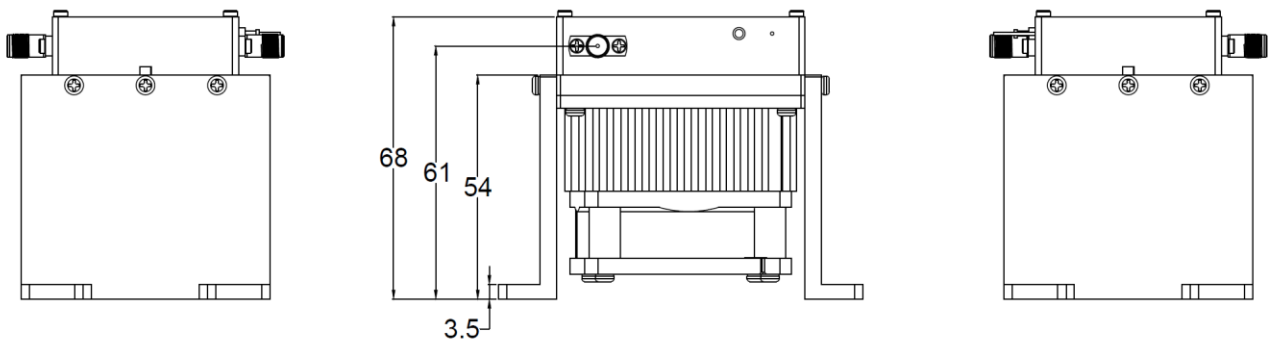
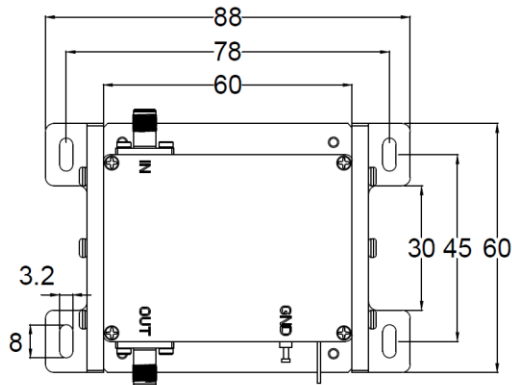
### Dimension: (unit mm)



	<26.5GHz	<40GHz	<50GHz	<67GHz
Connector	SMA	2.92mm	2.4mm	1.85mm
Length of a	9.4mm	9.5mm	10.8mm	11.3mm

Note: Female Default. Contact with us for other types.

Outline without heatsink. Heat Sink Required During Operation



Outline-HF option with heatsink

